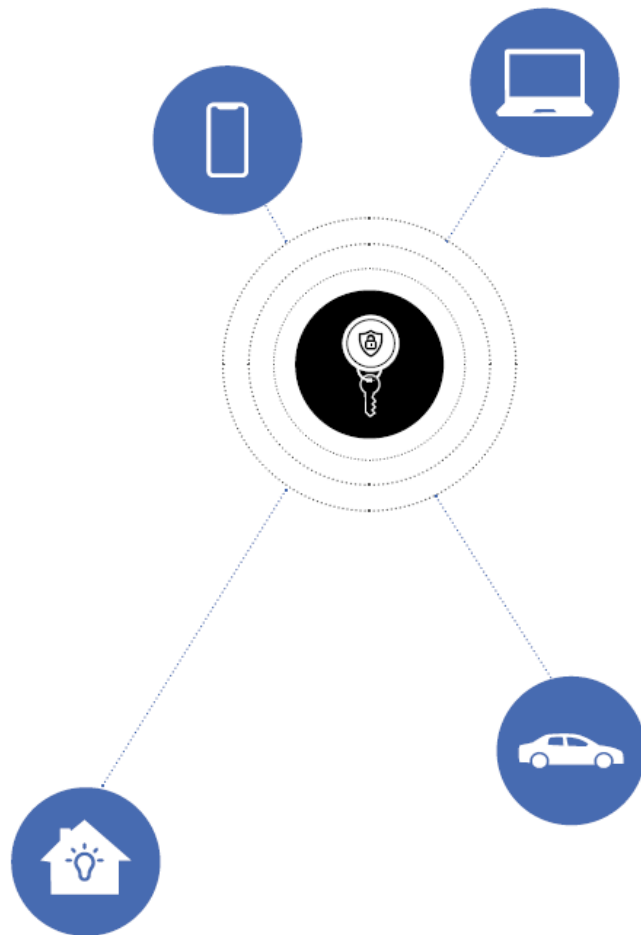


Mobile
Knowledge

MK UWB Kit

Secure UWB
for your IoT solution



What the MK UWB Kit offers

**MK
UWB
Kit**
Secure UWB
for your IoT solution



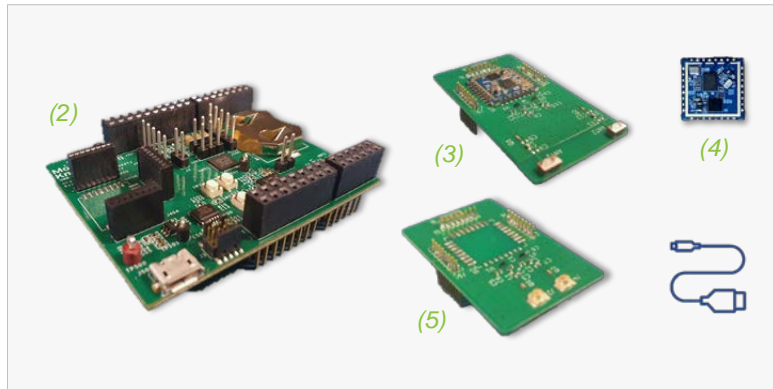
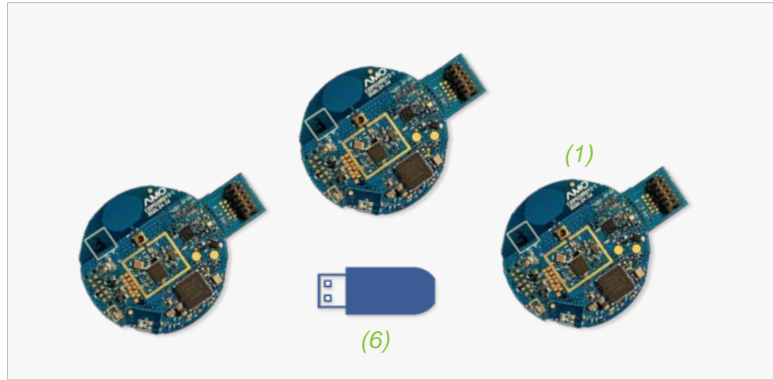
A set of **hardware**, **software** tools and **documentation** to **prototype** your idea and **accelerate** the **time to market** of your new UWB – based solution.

Experience the **UWB technology** with ready-to-run demonstration apps, development boards and sw libraries to start developing your own UWB application with minimum effort.

What you'll find in the MK UWB Kit

MK UWB Kit

Secure UWB for your IoT solution



- **3x UWB Tag boards (1)**
- **1x UWB Shield (2)** equipped with an **antenna board (3)** where a **UWB module** is soldered
- **1x additional UWB Module (4)** integrating NXP's UWB chip
- **1x additional antenna board (5)** to enable use of custom UWB antennas
- **Cables and connectors:** USB to microUSB OTG adapter, microUSB to USB-C adapter, and USB cable
- **USB flash drive (6)** with software and documentation to help you develop your own solution:

Documentation

- *UWB Quick Start Guide*
- *Datasheets*
- *UWB Shield user Guide*
- *Device SDK Guide*
- *Mobile SDK Guide*
- *Mobile App User Manual*

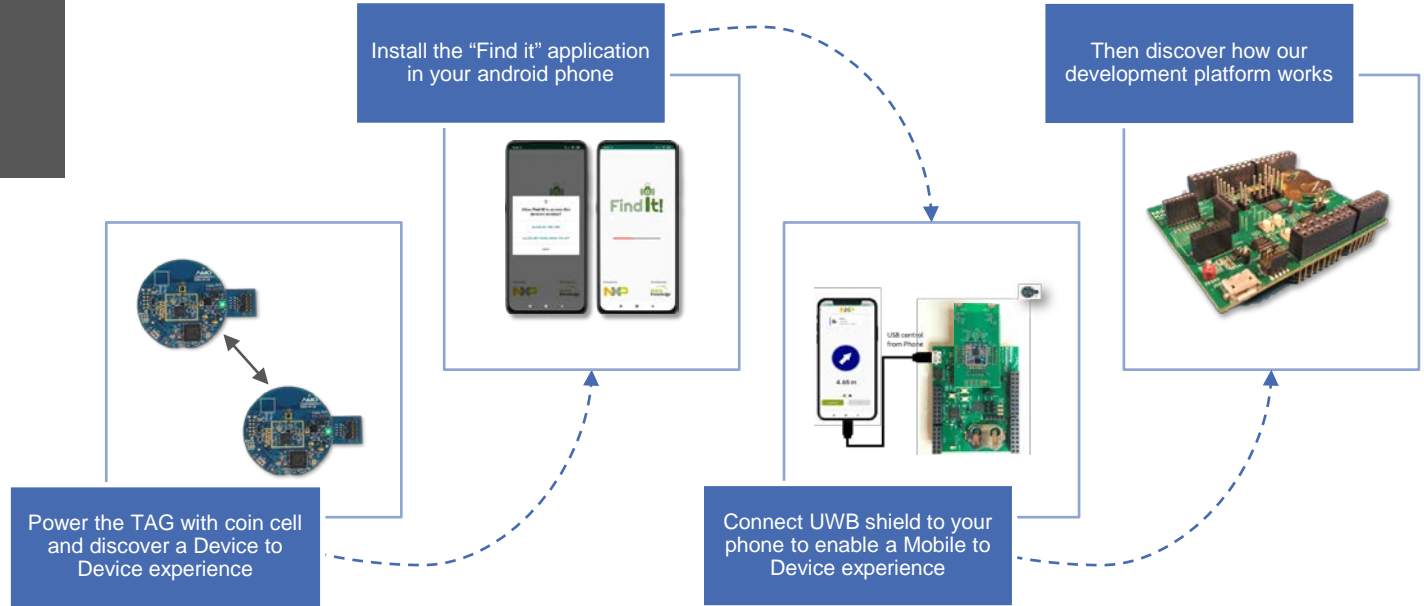
Software

- *FindIt App*
- *Mobile SDK*
- *Device SDK*

Any additional support from MobileKnowledge in connection to the MK UWB Kit is not included in the price. Any required support shall be subject to a specific and separate agreement with MobileKnowledge under the section "MK Services"

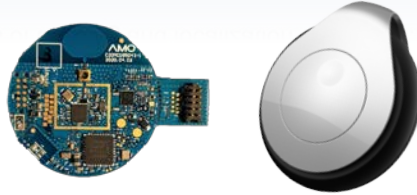
MK UWB Kit

Out of the box experience



UWB Tag In detail

Autonomous, battery-powered UWB device that features NXP's UWB chipset Trimension SR1XXT and a BLE-enabled microcontroller, enabling all kinds of tracking and localization use cases.

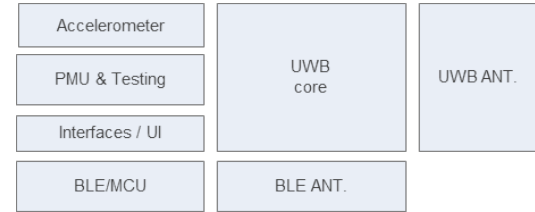


**MK
UWB
Kit**
Secure UWB
for your IoT solution

The TAG is providing an UWB signal that can be processed, by a **MOBILE** or a **DEVICE** capable to connect with the UWB signal, thus providing accurate distance and positioning data of the TAG

This is called **UWB ranging** and can be used to find items thanks to mobile or manage the positioning between 2 devices

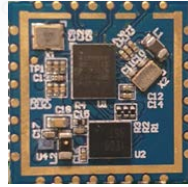
In addition, **BLE** is used for power efficiency management and possible connection to a mobile



- FIRA compliant based solution
- Worldwide RF bands capability with support of CH5 & CH9
- Power optimized design for coin cell battery supply with more than 1-year battery lifetime
- Accelerometer / motion detector
- > 50 m ranging distance with high accuracy (10 cm)
- Optional Enclosure
- Can be delivered as White label Certified product.

UWB Module In detail

Compact UWB transceiver based on NXP's UWB chipset Trimension SR1XXT. It supports multiple RF configurations with off-board components, allowing a flexible front-end design. It allows a quick integration of UWB capabilities into any design by using it as a component.



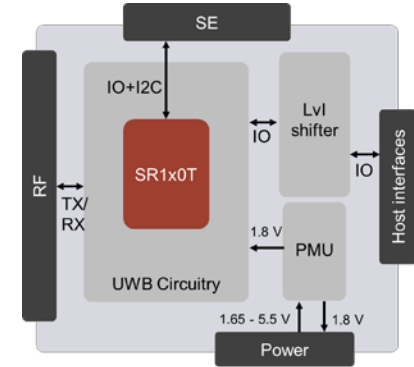
**MK
UWB
Kit**
Secure UWB
for your IoT solution

A UWB Module is a miniature PCB that regroups the core functionality of the UWB solution.

Adding power, Interface with system host, and antenna configuration, allow enabling UWB connectivity in the final system.

Trimension SR100T UWB: Access to external SE.
Compatible with Ranging, 2D & 3D AoA (Angle of Arrival)

Trimension SR040 UWB: Onboard antenna (on demand,
not available under MK UWB Kit)



- Core UWB functionality in a small form factor: 13 mm x 13 mm
- Worldwide RF bands capability with support of CH5, 6, 8, 9
- 1.27 mm pitch for easy placement on a PCB design
- Integrated DC/DC for optimum efficiency and UWB performance
- Integrated level shifter for wide IO voltage supply range (1.8V-5.5V)
- Access to multiple I/Os for extended features

UWB Shield In detail

Flexible platform to develop customized UWB systems. As the central part of the UWB Kit, it is used as the interface between the UWB module and external devices.

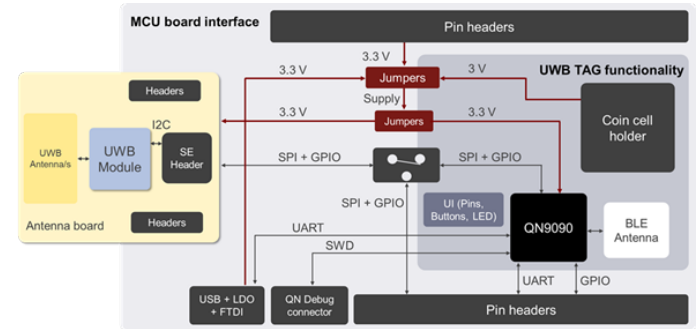


**MK
UWB
Kit**
Secure UWB
for your IoT solution

It can onboard a Trimension SR040 UWB module or support multiple HW configuration of Trimension SR100 UWB module thanks to an [Antenna board](#).

Its embedded [BLE SoC](#) allows developing autonomous device such as TAGs

A simple switch allows controlling the UWB module with an external MCU thanks to an [Arduino compatible](#) interface.

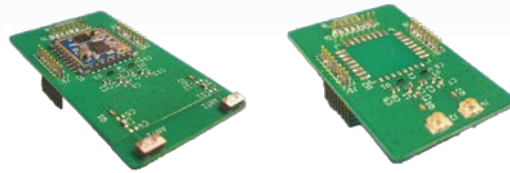


- Easy connection to UWB Module through an Antenna board.
- Can be used as a standalone development platform by using its integrated MCU.
- Controllable by other MCUs through Arduino-compatible expansion headers.
- Support for multiple interfaces (BLE, USB, UART).
- Power supply available through USB, external board and standard 3V coin cell.

UWB Antenna boards In detail

UWB Module-compatible PCBs that can be easily connected to the UWB Shield. They allow both the use of alternative UWB antennas and customization of RF frontend

**MK
UWB
Kit**
Secure UWB
for your IoT solution

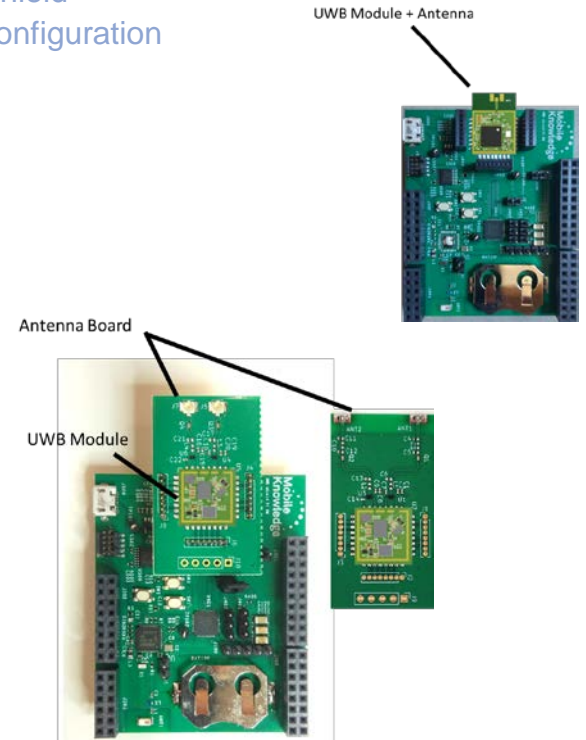


Two antenna boards are included in the UWB Kit:

Antenna board + UWB Module: Ready-to-use solution that features two SMD antennas, enabling 2D AoA reading.

Antenna board with RF connectors: Allows the use of alternative UWB antennas via its dedicated UFL connectors.

Shield configuration



Software and Documentation In detail

UWB Mobile and Device SDK

UWB Documentation

**MK
UWB
Kit**

Secure UWB
for your IoT solution



The UWB **Android SDK** allows enabling and developing UWB applications for Android devices. It allows controlling the UWB Tag through BLE and emulate UWB function of a mobile when connected to the UWB development board.

The **Device SDK** allows enabling and developing applications for devices integrating UWB module. It is built on top of the NXP SW package and provide access to specific logic and commands to personalize the application.

Demonstrative FW and Android applications built on top of the Mobile and Device SDK

Full set of documents to help you experience the UWB technology using off-the-shelf demo applications included in the kit and use the development platform and libraries to create your own applications.

- UWB Kit Quick Start Guide
- UWB Module datasheet
- UWB Shield User Guide
- UWB Android app User Manual
- UWB Device SDK Guide
- UWB Mobile SDK Guide

**MK UWB Kit
Experience**

**MK UWB Kit
Evaluation**

Evaluate MK UWB Kit demonstrative applications, and identify the key technologies involved



**MK UWB Kit
Development**

Customize your firmware or mobile application. Integrate new hardware or peripherals using MK UWB Kit development board

**Access to
MK Services**

Accelerate further your time to market by getting support from MK in the design and development of your solution.

MK UWB Kit Evaluation



Unbox MK UWB Kit

Get your MK UWB development kit here



Read start guide

Learn how to connect and power your devices for the first time



Run the demos

Follow the demos to discover the capabilities of the MK UWB



Ready!

Move on. You are ready to develop your own application

Demos

- **Device to device**
Use case demonstrating how to use UWB to track the distance between two tags
- **Mobile to device**
Showcasing the UWB capability of having a 2D localization of an object using a mobile phone



Essential

Understand and value the effort and challenges behind a fully optimized UWB solution such as MK UWB Tag.

Understand how you can use MK UWB Kit to accelerate the development of your UWB IoT solution.

You are now ready to develop your own application.

MK UWB Kit Development

The UWB Kit comes with a complete **development set** to ease the integration and testing of the UWB Tag and UWB module into your own solution.

Use Mobile and Device SDKs for a quick integration reducing development effort.

Your UWB solution

Imagine your next cutting-edge solution



Accelerate time-to-market and save cost, by acquiring the **MK UWB development tools** and use your kit as an efficient platform to develop your own solution.



Read HW/SW guides

Get your MK UWB kit here



Connect peripheral

Learn how to connect and power your device for the first time



Install the toolchain

Follow the demos to discover the capabilities of UWB



Develop

Move on. You are ready to develop your own application



Ready!

Go to production with a validated proof of concept

MK UWB Kit

Secure UWB for your IoT solution

MK UWB Kit Development



Do you need to extend the **hardware features** of MK UWB Kit?

Get rid of the UWB integration challenges. Benefit from our fully validated reference design to build your own UWB-ready solution.

The **UWB Shield board** offers a flexible platform to accelerate the integration of hardware or peripherals into your reference design using the Arduino header connector.

The UWB Shield board can be used as a **stand-alone device**, or as an **anchor connected to a mobile phone or** another **USB-enabled device**.

Do you need to add additional **software features**?

Focus on **your added value** hardware features in the prototyping stage.

Get a head start on your mobile application development by reusing the existing **MK Mobile SDK** for **Android** and even extend it to support additional features

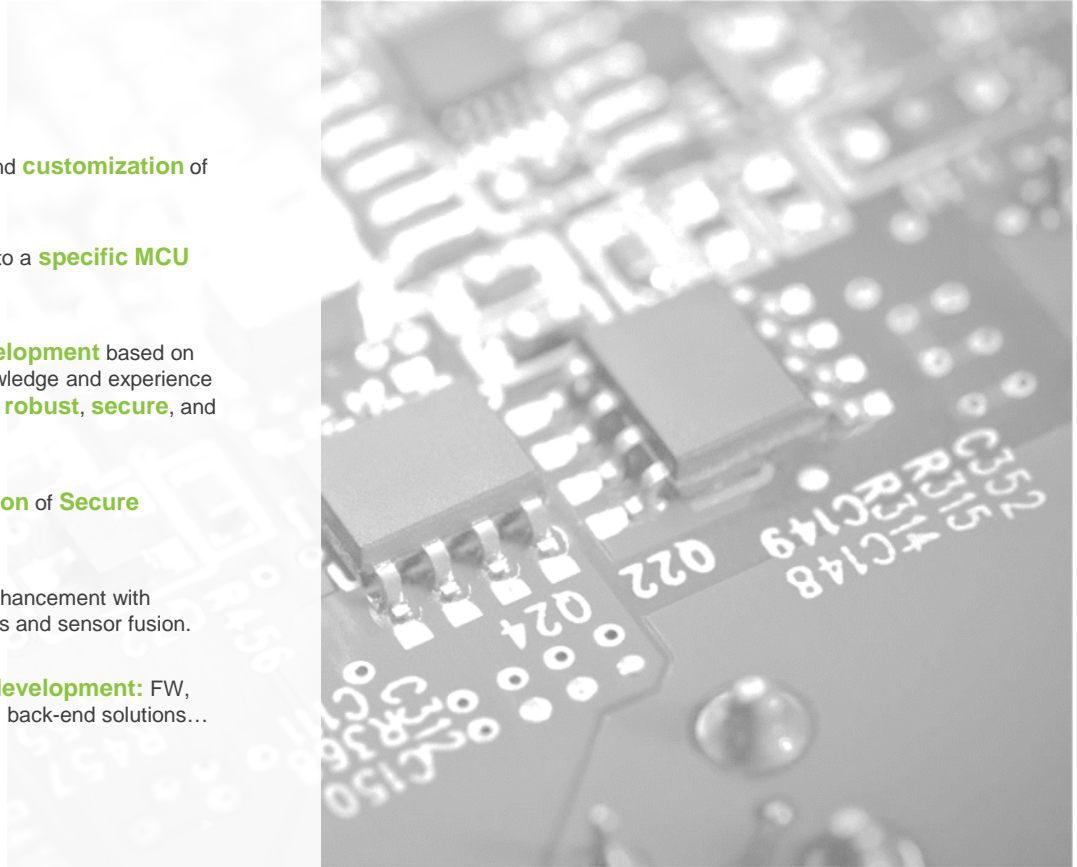
We provide the necessary support material and guidance for a quick integrating of new features.



Access to MK services

**MK
UWB
Kit**
Secure UWB
for your IoT solution

- **Development** and **customization** of antenna boards.
- Porting of **SDK** into a **specific MCU platform**.
- Specific **HW development** based on specification. Knowledge and experience to help you design **robust, secure**, and **reliable** systems.
- Support **integration** of **Secure Element** (SE).
- **Performance** enhancement with calibration methods and sensor fusion.
- UWB **use case development**: FW, mobile application, back-end solutions...



MK UWB Kit Ordering details

You can order the MK UWB Kit
at the MobileKnowledge website
<https://www.themobileknowledge.com/product/mk-uwb-kit/>

MK UWB Kit

Your entry point to the UWB technology

Evaluate the solution and
identify the key technologies
involved

1.000 €

**MK
UWB
Kit**
Secure UWB
for your IoT solution



Additional Components

- Additional **UWB Tag** ----- **125 €**
- Additional **UWB Shield** ----- **250 €**
- Additional **UWB Module** ----- **50 €**
- Additional **Antenna board** ----- **On demand**

MK Services

*Any additional support from MobileKnowledge in connection
to the MK UWB Kit is not included in the price.*

*Any required support shall be subject to a specific and
separate agreement with MobileKnowledge under the
section "MK Services"*

Contact us for further information
contact@themobileknowledge.com



www.themobileknowledge.com

Avant Studio Proyectos S.L.
Gran Via de les Corts Catalanes 630, 4th floor
08007 Barcelona (Spain)
VAT Nr. ESB64624067